



P-DUKE POWER

TAD50 Series

1.5 X 3 Inch AC-DC POWER SUPPLIES
Up to 50 Watts

3
YEARS
WARRANTY

ROHS
COMPLIANT

REACH
COMPLIANT



+85°C
-40°C
AMBIENT TEMP.



Automation



Datacom



IPC



Industry



Measurement



Telecom



Medical



Automobile



Boat



Charger



PV



Railway



PEAK
POWER

3000 VAC
Reinforced
Insulation

ADJ.
Output
Voltage

Internal
EN55032
Class
Filter **B**

LOW
Leakage
Current

LOW
Standby
Power

Operating
Altitude
5000
meter

Protection
Class I
Class II

OCP

OVP

SCP

OVCIII

PART NUMBER STRUCTURE

TAD50

U

S

12

B

-

J



Series Name

Universal
Input
(VAC)

Output
Quantity

Output
Voltage
(VDC)

Protection
Type

Connector
Options

Application
Options

85 ~ 264

Single

05:5
7P5:7.5
09:9
12:12
15:15
18:18
24:24
36:36
48:48
53:53

A:CLASS I
B:CLASS II

J: JST
M: Molex
T: Terminal Block

AC Input
C: OVC III (2000m)
G: DC Input

TECHNICAL SPECIFICATION All specifications are typical at 230VAC input, full load and 25°C unless otherwise noted

Model Number	Input Range	Output Voltage	Output Current Natural Convection	Max. Output Power	Input Power @No Load	Efficiency	Maximum Capacitor Load
	VAC	VDC	mA	W	mW	%	μF
TAD50US05B	85 ~ 264	5	8000	40	50	90.5	16000
TAD50US7P5B	85 ~ 264	7.5	6670	50	50	90.5	8900
TAD50US09B	85 ~ 264	9	5560	50	50	90.5	6200
TAD50US12B	85 ~ 264	12	4170	50	50	92.5	3500
TAD50US15B	85 ~ 264	15	3340	50	50	92.5	2300
TAD50US18B	85 ~ 264	18	2780	50	100	92.5	1600
TAD50US24B	85 ~ 264	24	2085	50	100	92.5	870
TAD50US36B	85 ~ 264	36	1390	50	100	91.5	390
TAD50US48B	85 ~ 264	48	1045	50	100	91.5	220
TAD50US53B	85 ~ 264	53	950	50	100	91.5	180

INPUT SPECIFICATIONS						
Parameter	Conditions	Min.	Typ.	Max.	Unit	
Operating input voltage range	AC input	85		264	VAC	
	DC input	120		370	VDC	
Input frequency	AC input	47		63	Hz	
Input current	100VAC and Full Load			1.4	A	
	240VAC and Full Load			0.8	A	
Leakage current	264VAC		150		μA	
Start up time				1000	ms	
Rise time			15		ms	
Hold up time	115VAC and Full Load		12		ms	
Input inrush current	230VAC		60		A	
Input protection	Internal fuse		T3.15A/250VAC			

OUTPUT SPECIFICATIONS						
Parameter	Conditions	Min.	Typ.	Max.	Unit	
Output power	Full Load 5Vout Others			40 50	Watts	
Output peak power	Peak power 5Vout 7.5Vout Others			56 65 70	Watts	
		Peak power time		5	s	
	Peak power duty		20		%	
	Average operation power (% of Full Load)		70		%	
Initial set voltage accuracy	230VAC and Full Load	-1.0		+1.0	%	
Line regulation	Low Line to High Line at Full Load	-0.2		+0.2	%	
Load regulation	No Load to Full Load 5Vout Others	-0.7 -0.5		+0.7 +0.5	%	
	10% Load to 90% Load 5Vout Others	-0.6 -0.4		+0.6 +0.4	%	
Voltage adjustability	Single output 5Vout, 7.5Vout, 9Vout, Others	-10 -20		+10 +10	%	
Minimum load			0		%	
Ripple and noise	Measured by 20MHz bandwidth With a 10μF/25V 1206 X7R MLCC 5Vout, 7.5Vout, 9Vout 12Vout, 15Vout, 18Vout		75		mVp-p	
			100		mVp-p	
	With a 1μF/50V 1206 X7R MLCC 24Vout, 36Vout With a 0.1μF/100V 1206 X7R MLCC 48Vout, 53Vout		100		mVp-p	
			100		mVp-p	
Temperature coefficient		-0.02		+0.02	%/°C	
Transient response	Load step from 50 ~ 75% change at 2.5A/μs Peak deviation Recovery time		3		%Vout	
			300		μs	
Over voltage protection	% of Vout(nom); Latch mode	115		135	%	
Over load protection	% of Iout rated; Hiccup mode Others		165		%	
Short circuit protection		Continuous, automatics recovery				

GENERAL SPECIFICATIONS

Parameter	Conditions		Min.	Typ.	Max.	Unit
Isolation voltage	1 minute (Reinforced insulation)	Input to Output Input (Output) to F.G.	3000 2000			VAC
Isolation resistance	500VDC		0.1			GΩ
Switching frequency	230VAC	5Vout 7.5Vout Others	70 95 110		95 120 135	kHz
Safety approvals	IEC/ EN/ UL 62368-1					UL:E193009 CB:UL(Demko)
Weight						78g (2.75oz)
MTBF	MIL-HDBK-217F, Full load					1.487 x 10 ⁶ hrs

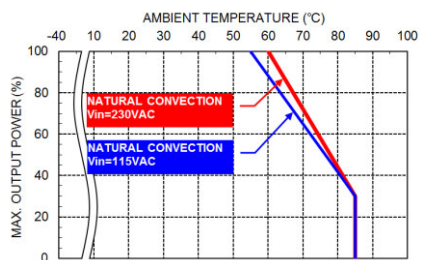
ENVIRONMENTAL SPECIFICATIONS

Parameter	Conditions		Min.	Typ.	Max.	Unit
Operating ambient temperature	Natural convection	With derating	-40		+85	°C
Storage temperature range			-40		+85	°C
Operating altitude					5000	m
Shock						IEC60068-2-27
Vibration						IEC60068-2-6
Relative humidity	Non-condensing					5% to 95% RH

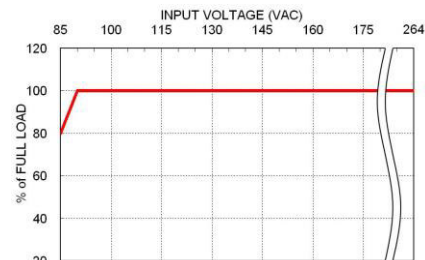
EMC SPECIFICATIONS

Parameter	Conditions		Level		
EMI	EN55032 and FCC Part 15		Conducted		Class B
			Radiated		Class B
	External components may be required for class I application.				
Harmonic currents	EN61000-3-2	Full Load			Class A
Voltage flicker	EN61000-3-3				
EMS	EN55035				
ESD	EN61000-4-2				Perf. Criteria A
Radiated immunity	EN61000-4-3	20 V/m			Perf. Criteria A
Fast transient	EN61000-4-4	± 2kV			Perf. Criteria A
Surge	EN61000-4-5	DM ± 1kV and CM ± 2kV			Perf. Criteria A
Conducted immunity	EN61000-4-6	20 Vr.m.s			Perf. Criteria A
Power frequency magnetic field	EN61000-4-8	10 A/m			Perf. Criteria A
Dip and interruptions	EN61000-4-11				

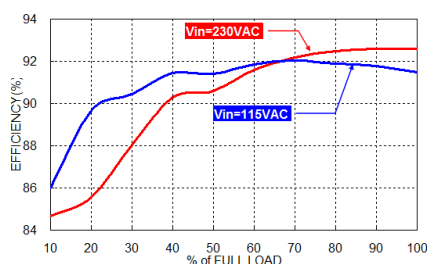
CHARACTERISTIC CURVE



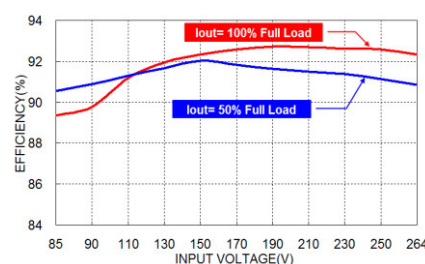
Derating Curve vs. Ambient Temperature



Derating Curve vs. Input Voltage



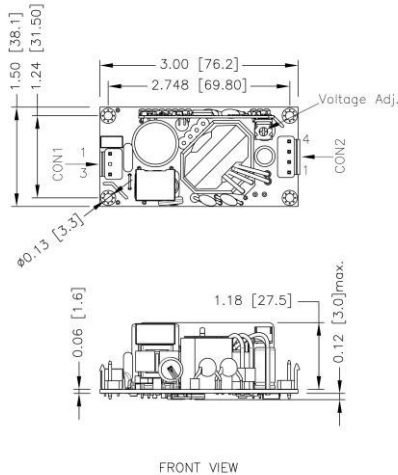
TAD50US12 Efficiency VS Output Load



TAD50US12 Efficiency vs. Input Voltage

MECHANICAL DRAWING

TAD Open type



*Either one of four screws holes of Chassis type can be considered as PE connection for CLASS I application

CONNECTORS CONNECTION

CON1 – Input Connector	
Pin Number	AC Input
Pin 1	Line
Pin 3	Neutral

CON2 – Output Connector	
Pin 1,2	-Vout
Pin 3,4	+Vout

- All dimensions in inch [mm]
- Tolerance : $x.xx \pm 0.02$ [$x.xx \pm 0.5$]
 $x.xxx \pm 0.010$ [$x.xx \pm 0.25$]
- The screw locked torque: MAX 5.0Kgf-cm/0.49N-m

CONNECTOR OPTIONS

-J

JST Type

Mates with housing

CON1: **VHR-3N**

CON2: **VHR-4N**

Crimp terminals

CON1: **SVH-21T-P1.1**

CON2: **SVH-21T-P1.1**



-M

Molex Type

Mates with housing

CON1: **09-50-8031**

CON2: **09-50-8041**

Crimp terminals

CON1: **SD-2478**

CON2: **SD-2478**



-T

Terminal Block

Mates with

Screw locked torque

MAX 2Kgf.cm/0.2N.m

Wire dimension range

26 ~ 16AWG

